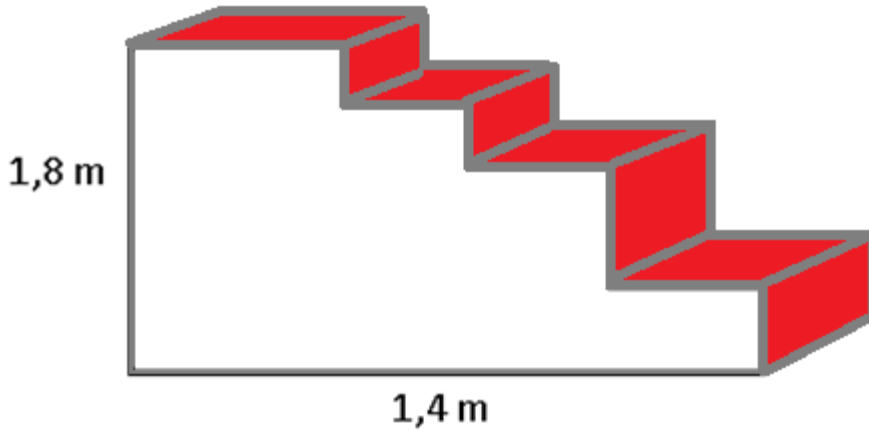


MATHEMATICAL LITERACY

Instruction: You are offered the test items with one correct answer from four proposed ones.

- 14% of what number is 350?
 - 2500
 - 2000
 - 2800
 - 3000
- At the shop Assyl paid 3000 tg for 10 eggs and 5 kg potatoes. The price of 1 kg potato is 2 times more than the price of one egg. Then find the price of 30 eggs and 2 kg potatoes.
 - 4800 tg
 - 4200 tg
 - 5100 tg
 - 4500 tg
- A team of two people is chosen from four students. How many different teams are possible?
 - 4
 - 8
 - 6
 - 2
- A soap solution contains 160 ml of soap which is 40% of total amount of solution. What is the mass of total amount of solution?
 - 200 ml
 - 40 ml
 - 400 ml
 - 640 ml
- Didar bought four pencils which cost 880 tg. What is the cost of 13 pencils?
 - 2600 tg
 - 2730 tg
 - 1430 tg
 - 2860 tg

6. The carpets laid down to the stairs. Find the length of the carpet.



- A) 3,6 m
- B) 3,2 m
- C) 4 m
- D) 2,8 m

7. Zhanar's room is very fashionable, she decided to change the color of one wall to the green color. Before buying a paint, she must know the total area of a wall. The height is 3 m and the length is 4 m, but she has a door which is 2×1.5 m. So what is the area of the wall that must be painted?

- A) 9 m^2
- B) 15 m^2
- C) 7 m^2
- D) 12 m^2

8. Determine the logical pattern and find x :

2	7	5	8
12	6	9	12
8	3	15	6
3	14	x	16

- A) 6
- B) 4
- C) 3
- D) 2

9. Find the value of $|B - A| = ?$

$$\begin{array}{r} \underline{73} \\ \underline{A5} \\ B8 \end{array} \quad \begin{array}{r} \underline{A8} \\ \underline{16} \\ 3B \end{array}$$

- A) 2
- B) 3
- C) 1
- D) 6

10. Three brothers average age is 11. The median age is 13. The average age of two elder brothers is 14. What is the age of the youngest brother?
 A) 14
 B) 7
 C) 5
 D) 15
11. The tea counts to be sweat if you add 30 ml of sugar on 360 ml of pure tea that is 1.5 spoon of sugar. Ansar usually adds 2 spoons of sugar, what is the sweatiness percentage of his tea?
 A) 9%
 B) 10%
 C) 12%
 D) 13%
12. In a room of 2×3 meter long could be placed 24 ducks. If the width of the room is extended to 5 m, how many ducks could be placed there?
 A) 60
 B) 45
 C) 84
 D) 40
13. There are a lot of balls in the basket. The sum of balls is given at the table below. What colour of balls' quantity is the biggest?

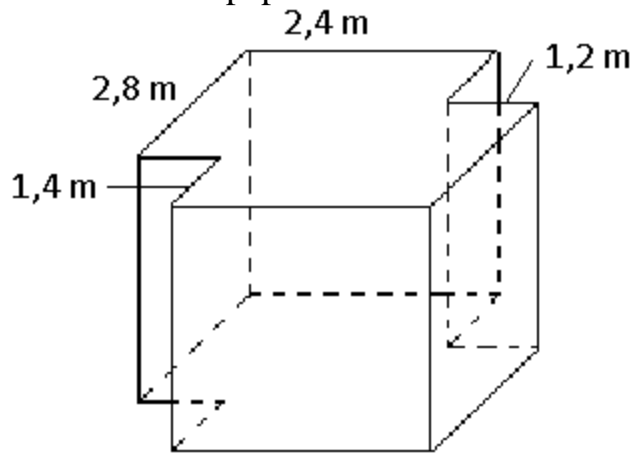
Balls			Sum
red	green	white	45
white	green	yellow	37
white	yellow	red	24
red	green	yellow	32

- A) red
 B) white
 C) green
 D) yellow
14. Find the value of C^D if:

$$\begin{array}{r} _714 \\ \underline{C9D} \\ CDD \end{array}$$

- A) 6
 B) 4
 C) 5
 D) 9

15. Design of the room is given below which height is 3 m. How many area does it take clue wallpaper?



- A) 46,8 m²
- B) 26,4 m²
- C) 48,6 m²
- D) 23,4 m²